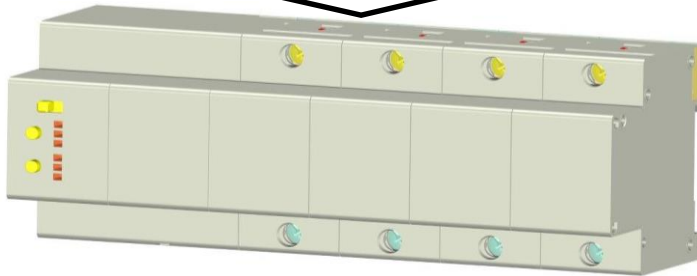


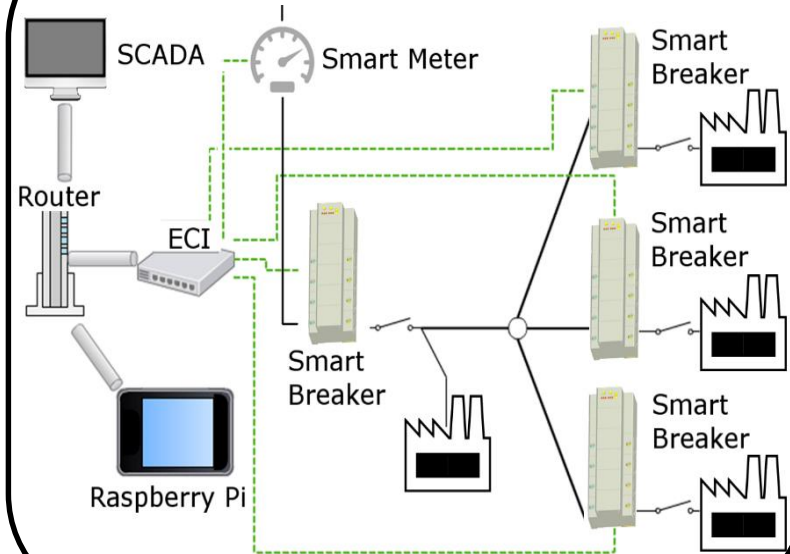
1) Components



Smart Breaker



2) Demonstration Setup



3) Customer Energy Management Field Test Results

5 A

